

A close-up photograph of a person's hands measuring a piece of wood. The person is wearing a grey t-shirt with the number '0840' and blue jeans. They are holding a yellow tape measure against a piece of wood. The background is a wooden workbench.

**Carpentry**

**Colson**

2nd hour math

Due: May 9, 2023

## Degrees You Need for The Job

Usually, carpenters don't need a college education. The most common degree for carpenters is high school diploma with 42% graduates, with only 23% carpenter graduates earning bachelor's degrees. Some good skills to have in this position include business skills, detail oriented and dexterity. To succeed in carpenter careers it is a good idea to earn popular professional certifications among carpenters like, OSHA Safety Certificate, Amusement Operators Safety Certification (EPA), or Certified Lead Carpenter (CLC).

## Additional Training

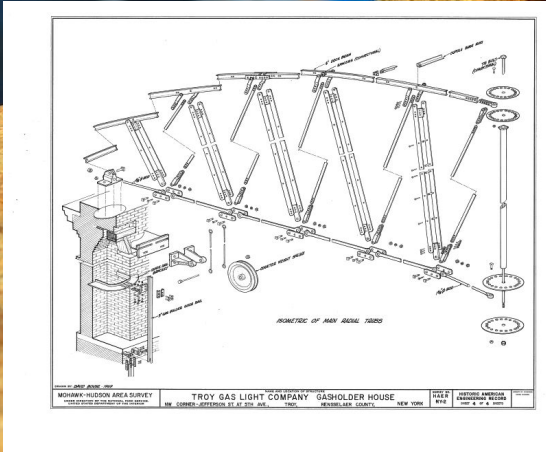
To become a carpenter you will sometime have to take a on the job training course with an instructor. Additionally Carpenters must have a functional understanding of general math, fractions, decimals, measurement, measurement tools, area measure, and volume meas



# Job Placement

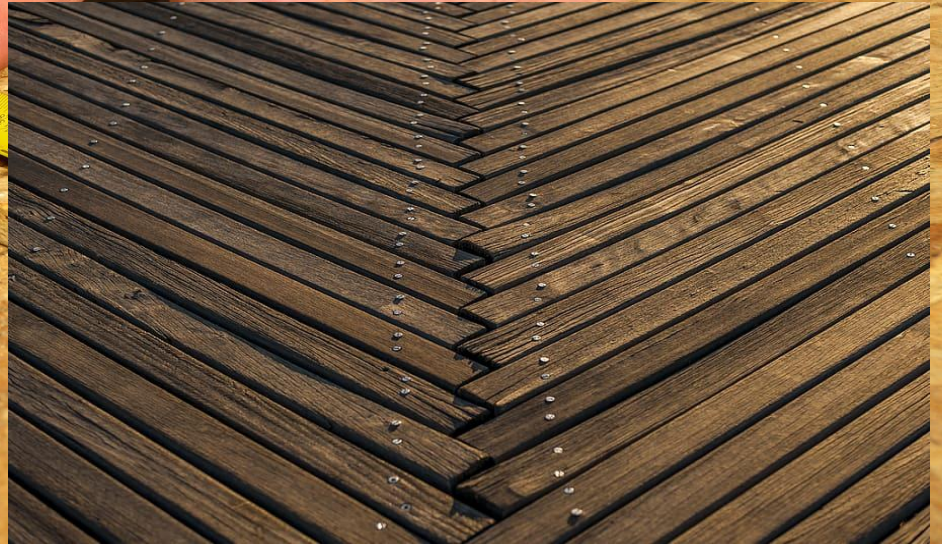
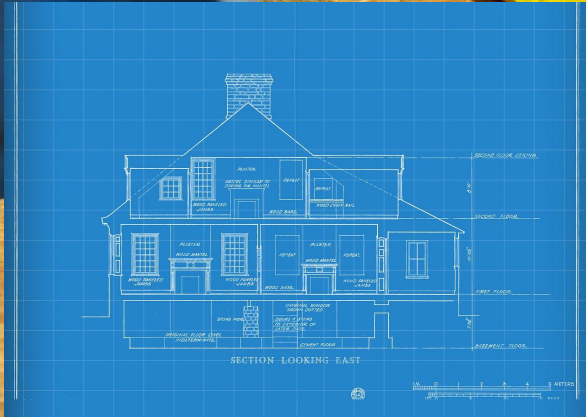
As a carpenter you can be placed anywhere in the world. There is usually no need to move to a different area.

As a carpenter you will be framing and building houses. You could be required to set trusses on a house one day and be framing up a door the next. It varies much on your employer and what they specialise in.



# Salary

The salary of a carpenter varies greatly. According to Ziprecruiter a Carpenter with a high school diploma can make anywhere from 30k-67k a year. Hawaii, Alaska, and New Jersey are the states with a average salary of 63k a year.



## Everyday life

Being a carpenter would be extremely difficult work. All day a carpenter is lifting and moving heavy objects. They rarely get breaks, and work outdoors year round. They are constantly moving from job to job and never staying somewhere long. There could also be benefits to being a carpenter. Schuber Mitchell home building offers take home trucks to some employees. They also offer pay increases every six to twelve months.



## How Math is Involved

To a carpenter, math is key to building a successful home. Carpenters are required to be able to measure and construct angles on the spot. They also must be able to read blueprints. Occasionally they must be able to calculate the amount of wood and supplies they need.



# Company and Prices



Aerotek headquarters are located in Des Moines Iowa. They currently have two thousand carpenters working for them across the nation.

Cost of:	Neosho, Missouri	De Moines, Iowa
Loaf of bread	\$3.12	\$4.49
Gallon of Milk	\$3.62	\$4.19
Gallon of Gas	\$2.90	\$3.18
3 bed, 2/2.5 bath, 2170 sq ft.	\$229,000	\$495,000

# Des Moines, Iowa

realtor.com

Buy Sell Rent Mortgage Find Realtors® My Home News & Insights

Manage rentals

Advertise

Log in

Sign up

Back Neosho, MO Iowa Polk County Des Moines 5700 Ingersoll Ave



Presented by  
Kelsie Colby Galtman

RE/MAX  
Brokered by  
RE/MAX Precision



### More about this property

Full name\*

Email\*

Phone\*

How can an agent help?  
I am interested in 5700 Ingersoll Ave.

- I have served in the U.S. military
- Get pre-approved by a lender

Email Agent

By proceeding, you consent to receive calls and texts at the number you provided, including marketing by automated and pre-recorded and artificial voice and email from realtor.com and other third parties about your inquiry and other home-related matters, but not as a condition of any purchase.

For Sale

**\$495,000** Est. **\$3,489/mo**

3 bed 2.5 bath 2,166 sqft 0.31 acre lot

5700 Ingersoll Ave, Des Moines, IA 50312

Single family  
Property type

164 days  
Time on Realtor.com

\$229  
Price per sqft

1 car  
Garage

1929  
Year built



Commute time: [Add a commute](#)

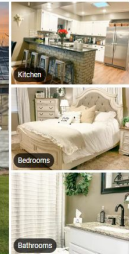
Ask a question

Share this home

# Neosho, Mo

Share Hide

Venture Group Real Estate Team with Venture Group Real Estate



### More about this property

Full name\*

Email\*

Phone\*

How can an agent help?  
I am interested in 12875 Larissa Ln.

- I have served in the U.S. military
- Get pre-approved by a lender

Email Agent

By proceeding, you consent to receive calls and texts at the number you provided, including marketing by automated and pre-recorded and artificial voice and email from realtor.com and other third parties about your inquiry and other home-related matters, but not as a condition of any purchase.

Pending

**\$229,900** Est. **\$1,475/mo**

3 bed 2 bath 2,186 sqft 0.48 acre lot

12875 Larissa Ln, Neosho, MO 64850

Single family  
Property type

86 days  
Time on Realtor.com

\$105  
Price per sqft

2 cars  
Garage

1980  
Year built



Commute time: [Add a commute](#)

This property has multiple listings: [Listing 1](#) | [Listing 2](#)

Ask a question

Share this home

## Sources

- <https://www.kingfoodsaver.com/shop#/l/?q=bread>
- <https://www.hy-vee.com/aisles-online/search?search=milk>
- [https://www.realtor.com/realestateandhomes-detail/5700-Ingersoll-Ave\\_Des-Moines\\_IA\\_50312\\_M79128-10650](https://www.realtor.com/realestateandhomes-detail/5700-Ingersoll-Ave_Des-Moines_IA_50312_M79128-10650)
- [https://www.realtor.com/realestateandhomes-detail/12875-Larissa-Dr\\_Neosho\\_MO\\_64850\\_M78046-66228](https://www.realtor.com/realestateandhomes-detail/12875-Larissa-Dr_Neosho_MO_64850_M78046-66228)